

**WARREN
RUPP, INC.**

Quality System
ISO9001 Certified
Environmental
Management System
ISO14001 Certified

IDEX



AIR DRYER

1/4", 1/2" & 1"

**Air-Operated
Double Diaphragm Pumps**

Intended Use

This air dryer is designed to remove 99% of the water, rust and other contaminants commonly present in compressed air lines. Clean, dry air enhances the life and performance of pneumatically-driven equipment.

Installation

This unit should be installed in the air line, between the air compressor and any in-line filter, regulator, or air dryer. This unit should be used in low humidity, and installed as far as possible from the compressor. Do not operate this air dryer below the minimum operating pressure range stated in the specifications.

This unit is equipped with auto drain capability.

AIR DRYER 020.046.007

Port size	1/4" (.64cm)
Applicable air compressor	Approx. 2.2 kW
Operating pressure range	.15~1 MPa (1.5~10.2kg/cm ²)
Proof pressure	1.5 MPa (15.3kg/cm ²)
Flow rate	10.6 SCFM (300 l/min)
Ambient temp	36~140°F (2~60°C)
Fluid temp	36~140°F (2~60°C)
Auto drain	Normally-open type
Weight	.84 lbs. (.38kg)

Pump Model Ref. PB1/4, X02, WR10

AIR DRYER 020.047.007

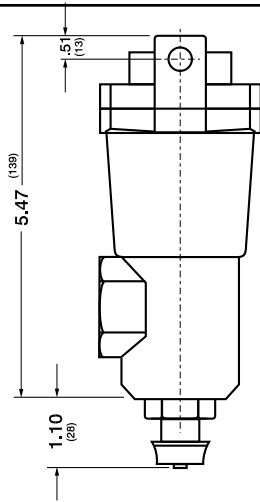
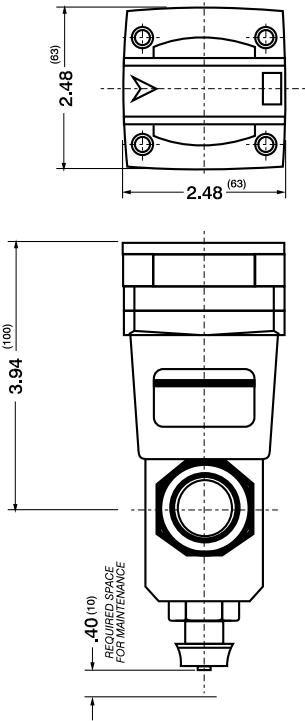
Port size	1/2" (1.27cm)
Applicable air compressor	Approx. 11 kW
Operating pressure range	.15~1 MPa (1.5~10.2kg/cm ²)
Proof pressure	1.5 MPa (15.3kg/cm ²)
Flow rate	53 SCFM (1500 l/min)
Ambient temp	36~140°F (2~60°C)
Fluid temp	36~140°F (2~60°C)
Auto drain	Normally-open type
Weight	1.98 lbs. (.9kg)

Pump Model Ref. S05, S07, S10, S15, SB1,HDF1, EH2M, SH2M, ST1

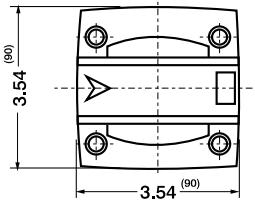
AIR DRYER 020.048.008

Port size	1" (32.54cm)
Applicable air compressor	Approx. 22 kW
Operating pressure range	.15~1 MPa (1.5~10.2kg/cm ²)
Proof pressure	1.5 MPa (15.3kg/cm ²)
Flow rate	123.6 SCFM (3500 l/min)
Ambient temp	36~140°F (2~60°C)
Fluid temp	36~140°F (2~60°C)
Auto drain	Normally-open type
Weight	4.63 lbs. (2.1kg)

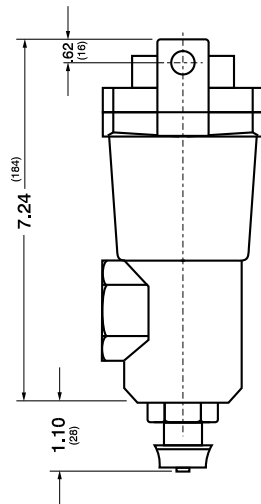
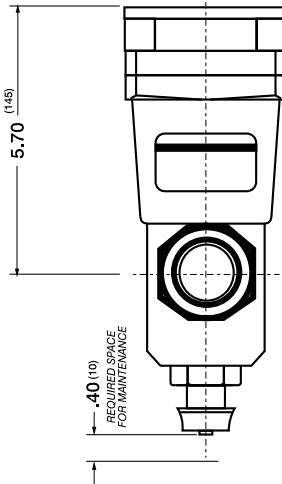
Pump Model Ref. S20, S30, HDB11/2, HDB2, HDF2, HDF3M, HD20F, ST11/2, ET1, ET2M, ET11/2 sm



1/4" AIR DRYER
Part No. 020-046-007



1/2" AIR DRYER
Part No. 020-047-007



1" AIR DRYER
Part No. 020-048-008

