

# SUBMERSIBLE SMA3 TECHNICAL DATA SHEET

## SERIES

### SUBMERSIBLE CENTRIFUGAL PUMPS

Model Number: SMA3,6AM1

## PERFORMANCE

### CAPACITY

- 0 to 300 gallons per minute (0 to 1140 liters per minute)

### AIR DISTRIBUTION VALVE

- No-lube, no-stall design

### SOLIDS-HANDLING

- Up to 1.5 in. (40 mm)

### MAXIMUM OPERATING PRESSURE

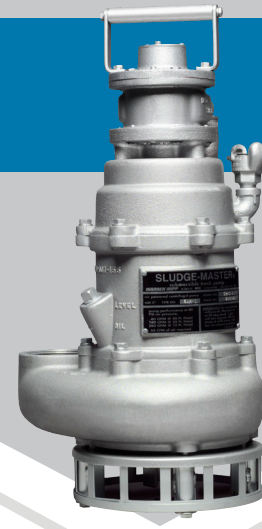
- 100 psi (7 bar)

### MATERIAL OF CONSTRUCTION

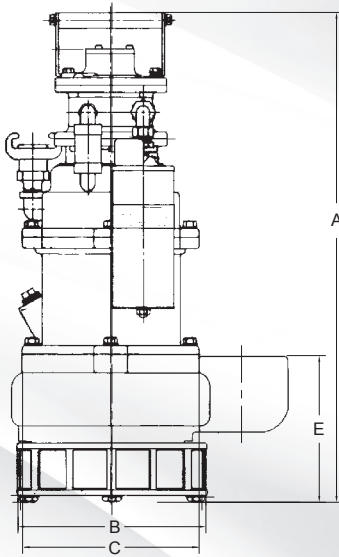
- Wetted-Aluminum
- Non-Wetted-Aluminum

### PORTING

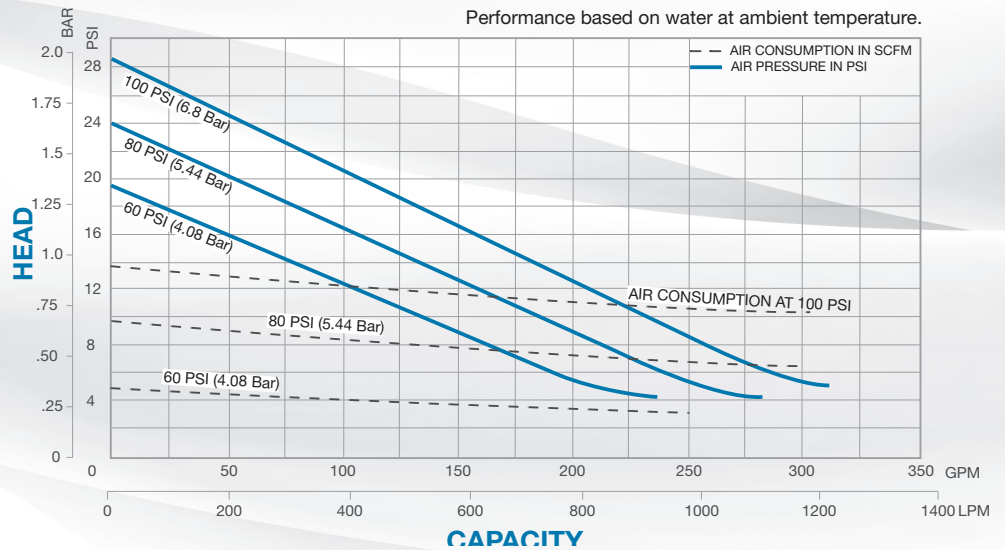
- 3" NPT



## DIMENSIONS



Dimensions: Tolerance $\pm 1/8"$ ( $\pm 3$ mm)			
A	B	C	D
Height	Width	Depth	Base To Center Discharge
23.51" (597 mm)	13" (330 mm)	9" (229 mm)	7.11" (180 mm)



### 5 YEAR LIMITED PRODUCT WARRANTY

5 Year Guarantee for defects in material or workmanship. See [sandpiperpump.com/content/warranty-certifications](http://sandpiperpump.com/content/warranty-certifications) for complete warranty, including terms and conditions, limitations and exclusions.



### USE ONLY GENUINE SANDPIPER PARTS

All certification, standards, guarantees & warranties originally supplied with this pump will be invalidated by the use of service parts not identified as "Genuine SANDPIPER Parts."