

**AC Solenoids**

AC Solenoid Kits designed for use with the RuppTech® Stroke Counter/Batch Controller, RuppTech Pulse Output Interface Kits, and customer-supplied VAC controllers (PLCs).

**Kit 894-001-000**

110/120 VAC Solenoid

**Kit 894-002-000**

220/240 VAC Solenoid

**Kit 894-005-000**

110/120 VAC Solenoid

**Kit 894-006-000**

220/240 VAC Solenoid

**Kit 894-009-000**

110/120 VAC Solenoid

**Kit 894-010-000**

220/240 VAC Solenoid

**DC Solenoids**

DC Solenoid Kits designed for use with customer-supplied VDC controllers ONLY (PLCs).

**Kit 894-003-000**

12 VDC Solenoid

**Kit 894-004-000**

24 VDC Solenoid

**Kit 894-007-000**

12 VDC Solenoid

**Kit 894-008-000**

24 VDC Solenoid

**Kit 894-011-000**

12 VDC Solenoid

**Kit 894-012-000**

24 VDC Solenoid

**Operating Principle**

The interfaceable solenoid kits offer easy on/off operation of air-driven diaphragm pumps, via the pump air inlet.

All AC solenoid units can be used with the RuppTech® Batch Control/Stroke Counters, RuppTech Pulse Output Interface Kits, or customer-supplied VAC controls. DC kits are designed for use with customer-supplied VDC controls only.

**Before Installation**

Before installing the Solenoid Kit, make certain it is compatible with your specific pump model and system voltage.

**Solenoid Kit Selection**

Before installing the Solenoid Kit, make certain it is compatible with your specific pump model and voltage.

**894-001-000 · 894-002-000****894-003-000 · 894-004-000**

Fit pump models:

PB1/4-A	PB1/2-A	PB1/2-T
PB3/4-A	EB1/2-A	EB1/2-T
MP01P	MP02P	MP02T
MP02M	MP03P	S05
M05	S07	M07
S10	M10	

**894-005-000 · 894-006-000****894-007-000 · 894-008-000**

Fit pump models:

PB1-A	PB1 1/2-A	PB2-A
EB1-SM	EB1-M	EB1 1/2-SM
SE1/2-A	SB1-A	SA1-A
ET1-M	ET1 1/2-SM	ST1-A
SB25-A	SA25A	ST25-A
MP04P	MP07P	MP03M
MP04M	MP05M	MP04D
MP05D	S1F	M1F

**894-009-000 · 894-010-000****894-011-000 · 894-012-000**

Fit pump models:

EB2-SM	EB2-M	SB1 1/2-A
SB2-A	SA2-A	SA2-M
SA3-A	SA3-M	SA4-A
SA4-M	W09	W15
ET1 1/2-M	ET2-M	ST1 1/2-A
EB3-SM	EB3-M	EB4-M
SB3-A	SB4-A	ET3-SM
ET3-M	SB40-A	SA40-A
MP07D	MP08M	MP08B
MP08D	MP10M	MP12M
MP12D	MP14M	MP14D
S15	M15	S20
M20	S30	M30

## Kit 894-001-000

110/120 VAC Solenoid · Kit includes:

Part No.	Description	Qty
893-085-000	Valve (includes knurled nut)	1
219-002-000	Coil	1
241-001-000	Connector	1
541-001-000	Nut, Knurled	1

## Kit 894-002-000

220/240 VAC Solenoid · Kit includes:

Part No.	Description	Qty
893-085-000	Valve (includes knurled nut)	1
219-003-000	Coil	1
241-001-000	Connector	1
541-001-000	Nut, Knurled	1

## Kit 894-003-000

12VDC Solenoid · Kit includes:

Part No.	Description	Qty
893-085-000	Valve (includes knurled nut)	1
219-004-000	Coil	1
241-001-000	Connector	1
541-001-000	Nut, Knurled	1

## Kit 894-004-000

24VDC Solenoid · Kit includes:

Part No.	Description	Qty
893-085-000	Valve (includes knurled nut)	1
219-001-000	Coil	1
241-001-000	Connector	1
541-001-000	Nut, Knurled	1

## Kit 894-005-000

110/120 VAC Solenoid · Kit includes:

Part No.	Description	Qty
893-086-000	Valve (includes knurled nut)	1
219-002-000	Coil	1
241-001-000	Connector	1
541-001-000	Nut, Knurled	1

## Kit 894-006-000

220/240 VAC Solenoid · Kit includes:

Part No.	Description	Qty
893-086-000	Valve (includes knurled nut)	1
219-003-000	Coil	1
241-001-000	Connector	1
541-001-000	Nut, Knurled	1

## Kit 894-007-000

12VDC Solenoid · Kit includes:

Part No.	Description	Qty
893-086-000	Valve (includes knurled nut)	1
219-004-000	Coil	1
241-001-000	Connector	1
541-001-000	Nut, Knurled	1

## Solenoid Kit Repair Parts

All parts available in kit form, or individually.

### Solenoid Kit Selection

Before installing the Solenoid Kit, make certain it is compatible with your specific pump model and voltage.

### 894-001-000 · 894-002-000

### 894-003-000 · 894-004-000

Fit pump models:

PB1/4-A	PB1/2-A	PB1/2-T
PB3/4-A	EB1/2-A	EB1/2-T
MP01P	MP02P	MP02T
MP02M	MP03P	S05
M05	S07	M07
S10	M10	

### 894-005-000 · 894-006-000

### 894-007-000 · 894-008-000

Fit pump models:

PB1-A	PB1 1/2-A	PB2-A
EB1-SM	EB1-M	EB1 1/2-SM
SE1/2-A	SB1-A	SA1-A
ET1-M	ET1 1/2-SM	ST1-A
SB25-A	SA25A	ST25-A
MP04P	MP07P	MP03M
MP04M	MP05M	MP04D
MP05D	S1F	M1F

### 894-009-000 · 894-010-000

### 894-011-000 · 894-012-000

Fit pump models:

EB2-SM	EB2-M	SB1 1/2-A
SB2-A	SA2-A	SA2-M
SA3-A	SA3-M	SA4-A
SA4-M	W09	W15
ET1 1/2-M	ET2-M	ST1 1/2-A
EB3-SM	EB3-M	EB4-M
SB3-A	SB4-A	ET3-SM
ET3-M	SB40-A	SA40-A
MP07D	MP08M	MP08B
MP08D	MP10M	MP12M
MP12D	MP14M	MP14D
S15	M15	S20
M20	S30	M30

©RuppTech is a registered tradename of Warren Rupp, Inc. ©2004 Warren Rupp, Inc. All rights reserved.

## Kit 894-008-000

**24VDC Solenoid · Kit includes:**

Part No.	Description	Qty
893-086-000	Valve (includes knurled nut)	1
219-001-000	Coil	1
241-001-000	Connector	1
541-001-000	Nut, Knurled	1

## Kit 894-009-000

**110/120 VAC Solenoid · Kit includes:**

Part No.	Description	Qty
893-087-000	Valve (includes knurled nut)	1
219-002-000	Coil	1
241-001-000	Connector	1
541-001-000	Nut, Knurled	1

## Kit 894-010-000

**220/240 VAC Solenoid · Kit includes:**

Part No.	Description	Qty
893-087-000	Valve (includes knurled nut)	1
219-003-000	Coil	1
241-001-000	Connector	1
541-001-000	Nut, Knurled	1

## Kit 894-011-000

**12DC Solenoid · Kit includes:**

Part No.	Description	Qty
893-087-000	Valve (includes knurled nut)	1
219-004-000	Coil	1
241-001-000	Connector	1
541-001-000	Nut, Knurled	1

## Kit 894-012-000

**24VDC Solenoid · Kit includes:**

Part No.	Description	Qty
893-087-000	Valve (includes knurled nut)	1
219-001-000	Coil	1
241-001-000	Connector	1
541-001-000	Nut, Knurled	1

## **Solenoid Kit Repair Parts**

All parts available in kit form, or individually.

### **Solenoid Kit Selection**

Before installing the Solenoid Kit, make certain it is compatible with your specific pump model and voltage.

#### **894-001-000 · 894-002-000**

#### **894-003-000 · 894-004-000**

Fit pump models:

PB1/4-A	PB1/2-A	PB1/2-T
PB3/4-A	EB1/2-A	EB1/2-T
MP01P	MP02P	MP02T
MP02M	MP03P	S05
M05	S07	M07
S10	M10	

#### **894-005-000 · 894-006-000**

#### **894-007-000 · 894-008-000**

Fit pump models:

PB1-A	PB1/2-A	PB2-A
EB1-SM	EB1-M	EB1/2-SM
SE1/2-A	SB1-A	SA1-A
ET1-M	ET1/2-SM	ST1-A
SB25-A	SA25A	ST25-A
MP04P	MP07P	MP03M
MP04M	MP05M	MP04D
MP05D	S1F	M1F

#### **894-009-000 · 894-010-000**

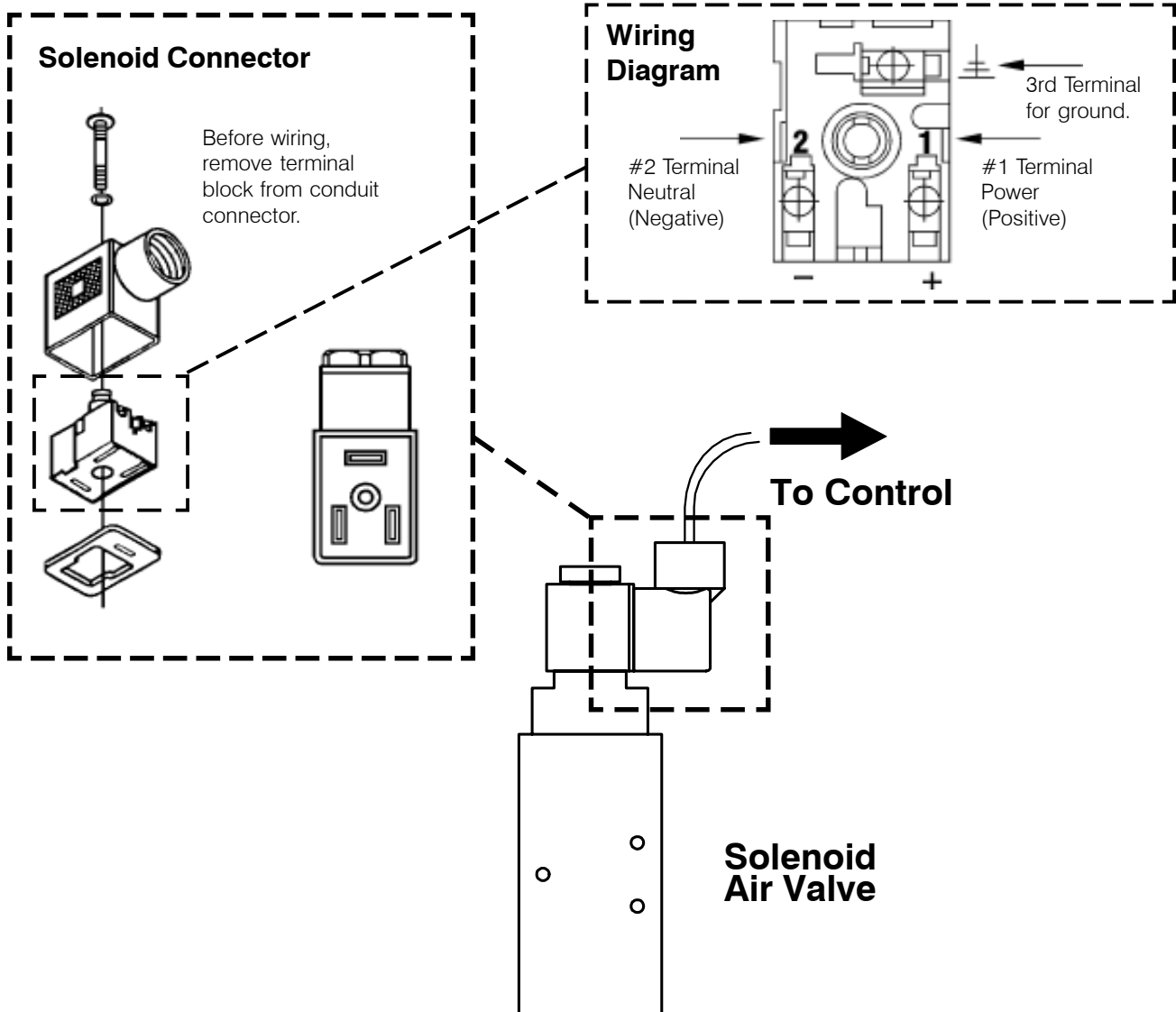
#### **894-011-000 · 894-012-000**

Fit pump models:

EB2-SM	EB2-M	SB1/2-A
SB2-A	SA2-A	SA2-M
SA3-A	SA3-M	SA4-A
SA4-M	W09	W15
ET1/2-M	ET2-M	ST1/2-A
EB3-SM	EB3-M	EB4-M
SB3-A	SB4-A	ET3-SM
ET3-M	SB40-A	SA40-A
MP07D	MP08M	MP08B
MP08D	MP10M	MP12M
MP12D	MP14M	MP14D
S15	M15	S20
M20	S30	M30

©RuppTech is a registered tradename of Warren Rupp, Inc. ©2004 Warren Rupp, Inc. All rights reserved.

# Solenoid Wiring Diagram



*©RuppTech is a registered tradename of Warren Rupp, Inc. ©2004Warren Rupp, Inc. All rights reserved.*

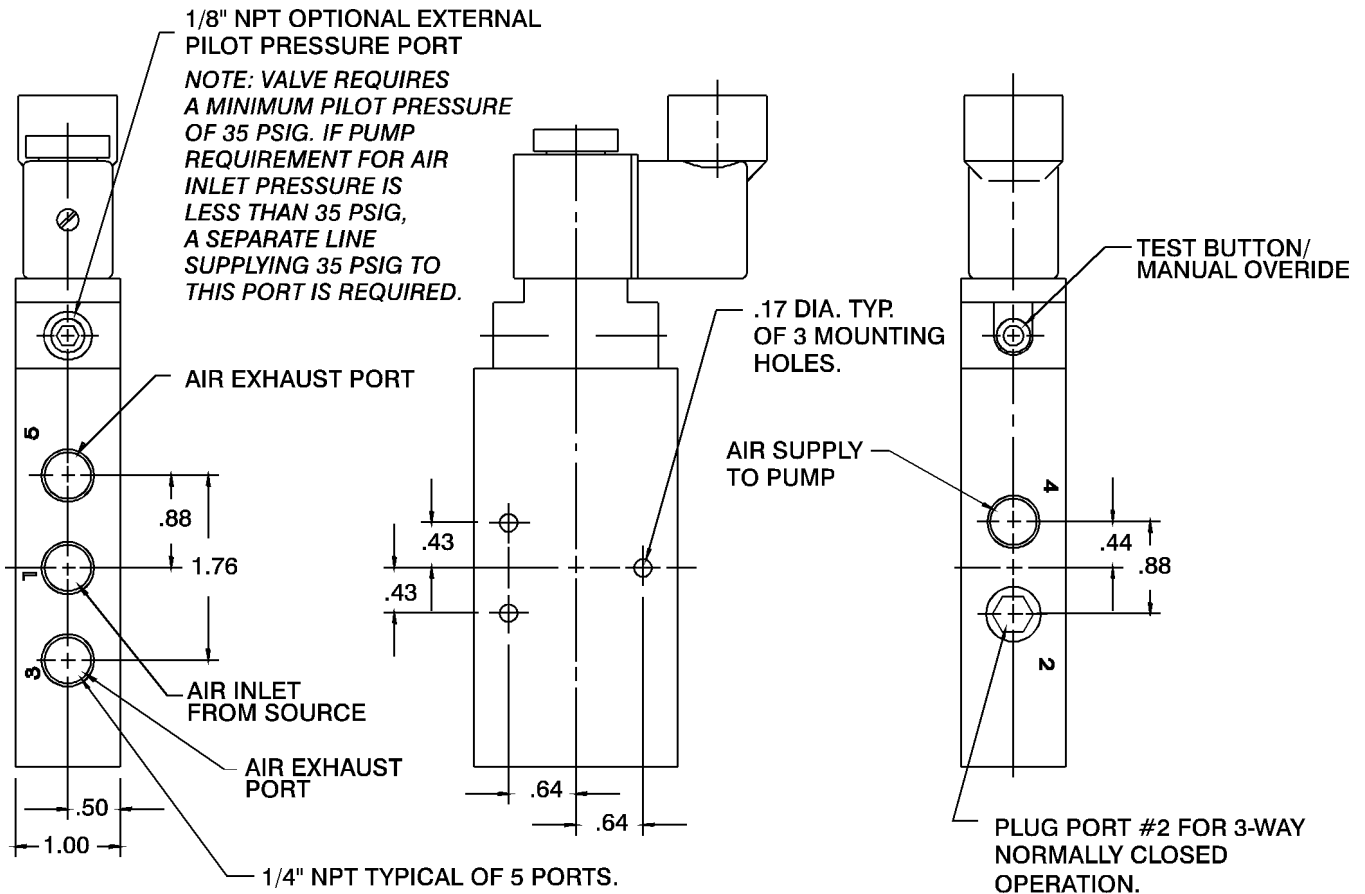
## Solenoid Valves

894-001-000

894-002-000

894-003-000

894-004-000



THESE INSTRUCTIONS ARE FOR USE WITH THE FOLLOWING VALVE ASSEMBLIES:

894-001-000

894-002-000

894-003-000

894-004-000

e1:\sol1.cdr

©RuppTech is a registered tradename of Warren Rupp, Inc. ©2004Warren Rupp, Inc. All rights reserved.

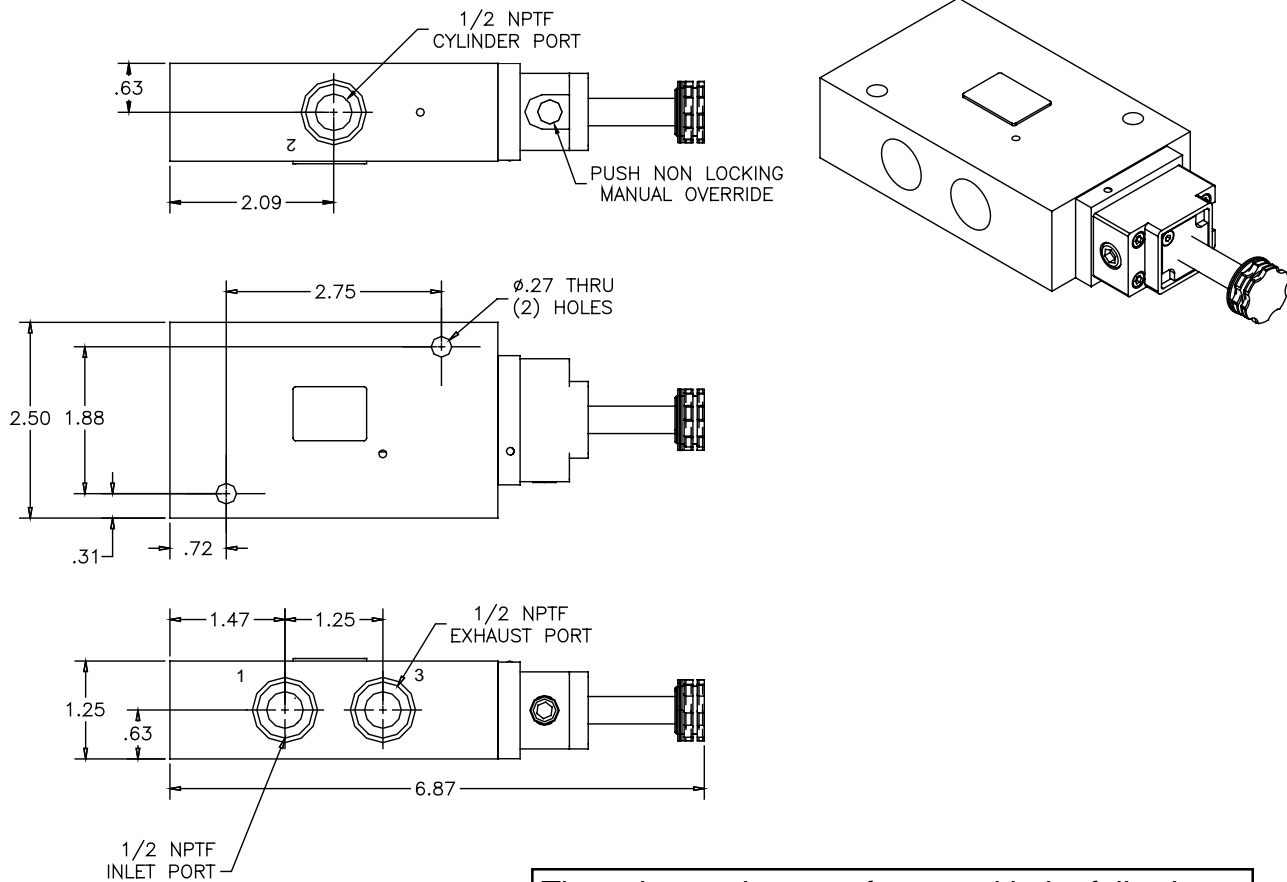
## **Solenoid Valves**

**894-005-000**

**894-006-000**

**894-007-000**

**894-008-000**



These instructions are for use with the following valve assemblies:

894-005-000

894-006-000

894-007-000

894-008-000

*©RuppTech is a registered tradename of Warren Rupp, Inc. ©2004Warren Rupp, Inc. All rights reserved.*

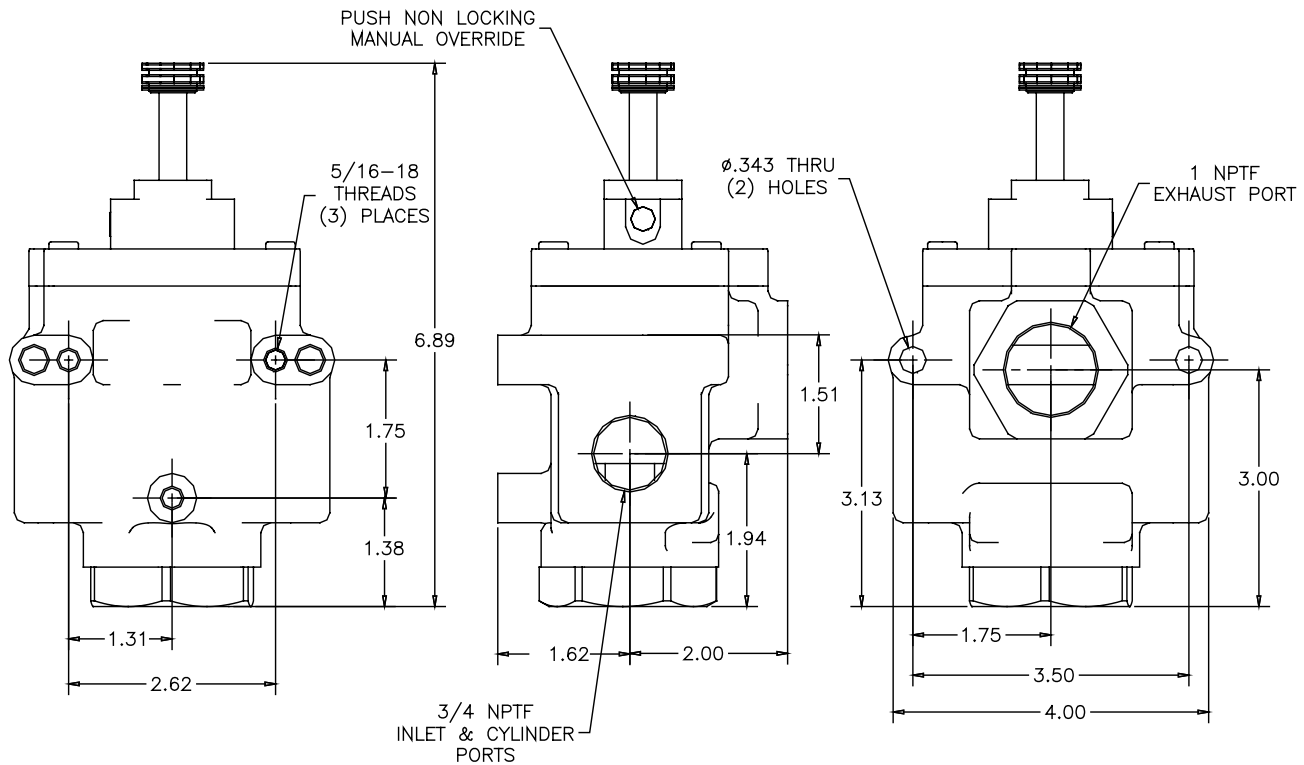
## Solenoid Valves

894-009-000

894-010-000

894-011-000

894-012-000



These instructions are for use with the following valve assemblies:

894-009-000

894-010-000

894-011-000

894-012-000

©RuppTech is a registered tradename of Warren Rupp, Inc. ©2004Warren Rupp, Inc. All rights reserved.