

# New Inline One-Piece, Multi-Port Manifolds.

Now Available for S05 1/2" & S1F 1" Polypropylene Line.



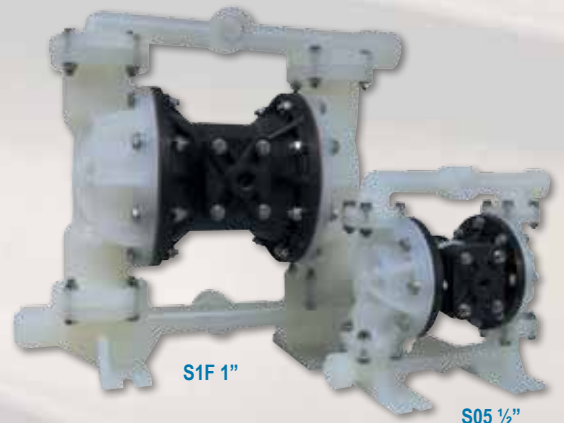
One-Piece, Multi-Port Manifolds

180° Manifold Connection Rotation

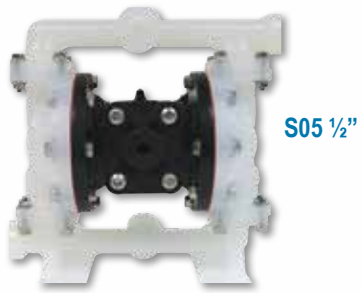
## Features & Benefits:

- One-Piece inline manifolds with movable plugs
- Multi-Port connection options (center & side)
- Corrosion resistant Polypropylene feet
- Dimensional drop-in for 1/2" & 1" ARO® units (footprint)
- Same footprint as current Warren Rupp® S05 unit
- 50% Fewer potential leak points
- Faster assembly and disassembly
- Simple installation into Warren Rupp or competitive 1/2" & 1" pump accounts / OEMs

The SANDPIPER® philosophy of "More Ways than One" continues with the latest S05 and S1F product line enhancements. We have extended our product offering to include the new one-piece, multi-port manifolds for the S05 1/2" and S1F 1" polypropylene line. This product line addition enhances and extends SANDPIPER'S already extensive line of S05 and S1F standard duty non-metallic ball valve pumps.



## Standard Duty Ball Non-Metallic Polypropylene 1/2" Pump with One Piece Manifold - S05



SANDPIPER® is pleased to offer our new inline, one-piece, multi-port manifold for the S05 1/2" polypropylene line.

### Features & Benefits:

- One-Piece inline manifolds with movable plugs
- Multi-Port connection options (center and side)
- Corrosion resistant Polypropylene feet vs. 316SS brackets used on 3 piece design
- Dimensional drop-in for 1/2" ARO® units (footprint)
- Same footprint as current Warren Rupp® S05 standard pump
- 50% Fewer potential leak points
- Faster assembly and disassembly
- Simple installation into Warren Rupp or competitive 1/2" pump accounts / OEMs

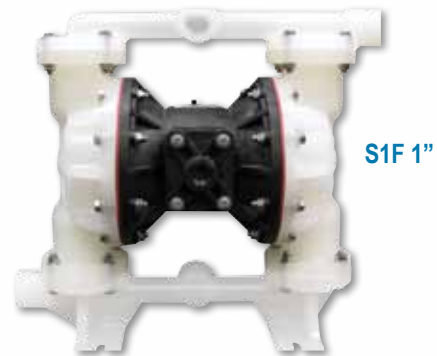
### Applications:

- Chemical Dispensing
- OEM systems manufacturing

### Models:

- S05B2PUTPNI000
- S05B2P1TPNI000
- S05B2PBTPNI000
- S05B2P2TPNI000
- S05B2PZTPNI000

## Standard Duty Ball Non-Metallic Polypropylene 1" Pump with One Piece Manifold - S1F



SANDPIPER is pleased to offer our new inline, one-piece, multi-port manifold for the S1F 1" polypropylene line.

### Features & Benefits:

- One-Piece inline manifolds with movable plugs
- Multi-Port connection options (center and side)
- Inline option is NPT vs. flanged
- Dimensional drop-in for 1" ARO® units (footprint)
- Porting dimensions equal to standard S1F standard pump (center port center line)
- 50% Fewer potential leak points
- Faster assembly and disassembly
- Simple installation into Warren Rupp or competitive 1" pump accounts / OEMs

### Applications:

- Chemical Dispensing
- OEM systems manufacturing

### Models:

- S1FB3P1PPNI000
- S1FB3PBPPNI000
- S1FB3PNPPNI000
- S1FB3PVPPNI000
- S1FB3PGPPNI000
- S1FB3P2PPNI000
- S1FB3PZPPNI000

*Note: The new inline option is available in polypropylene only. Our standard S05 and S1F non-metallic designs are still available. If you would like the dual or vertical ported models, please order the original three piece manifold pump. There will be an adder for the original three piece manifold design. Please refer to the price book or contact your Regional Sales Manager for more details.*

ARO® is a registered trademark of Ingersoll-Rand Company.



PH: 419.524.8388 • Fax: 419.522.7867 • [www.sandpiperpumps.com](http://www.sandpiperpumps.com)

Warren Rupp, IDEX AODD, Inc., A Unit of IDEX Corp. • 800 N. Main St. • P.O. Box 1568 • Mansfield, OH 44901 USA